

Technical Specifications

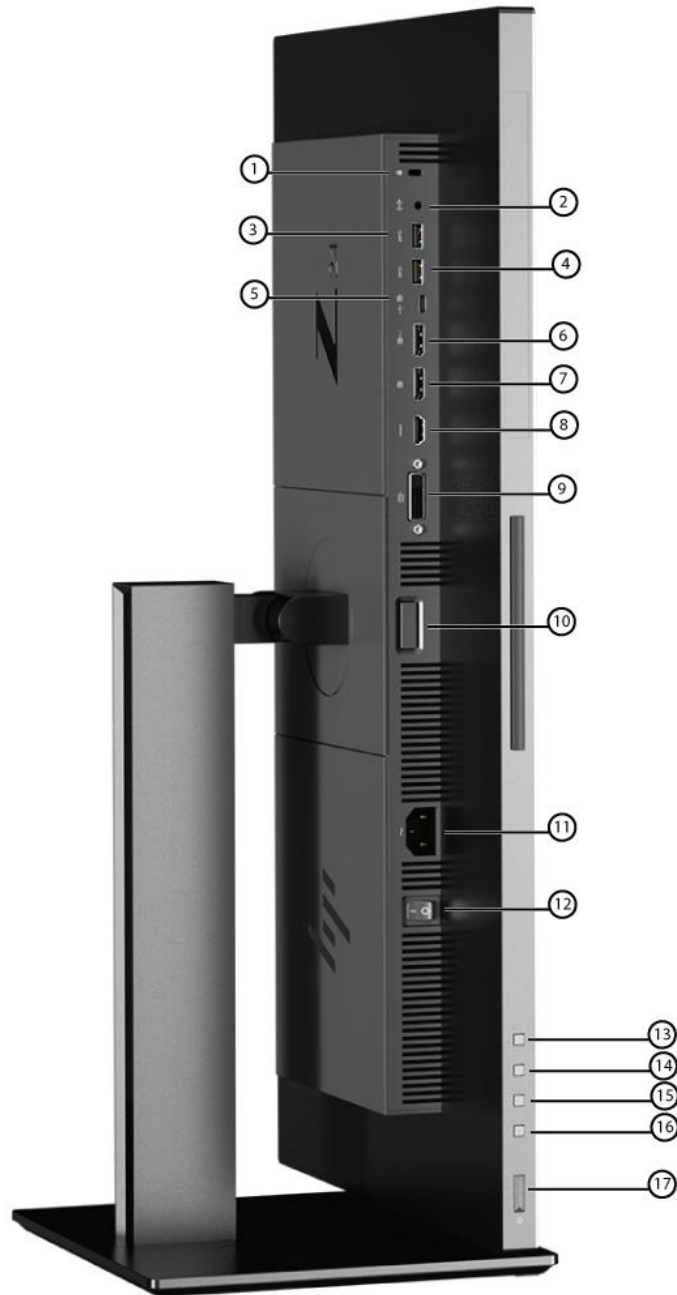
HP Z24n G2 24-inch Display



- 1. Menu button** Press to open the OSD menu, select a menu item from the OSD, or close the OSD menu.
- 2. Minus ("-") button** If the OSD menu is open, press to navigate backward through the OSD menu and decrease adjustment levels.
- 3. Plus ("+") button** If the OSD menu is closed, press to open the Color menu. If the OSD menu is open, press to navigate forward through the OSD menu and increase adjustment levels.
- 4. Back/Exit button** If the OSD menu is closed, press to open the Viewing Modes menu. If the OSD is open, press to go back or exit the OSD.
- 5. Power button** If the OSD menu is closed, press to switch to the next active input. Turns the monitor on or off.

Technical Specifications

HP Z24n G2 24-inch Display



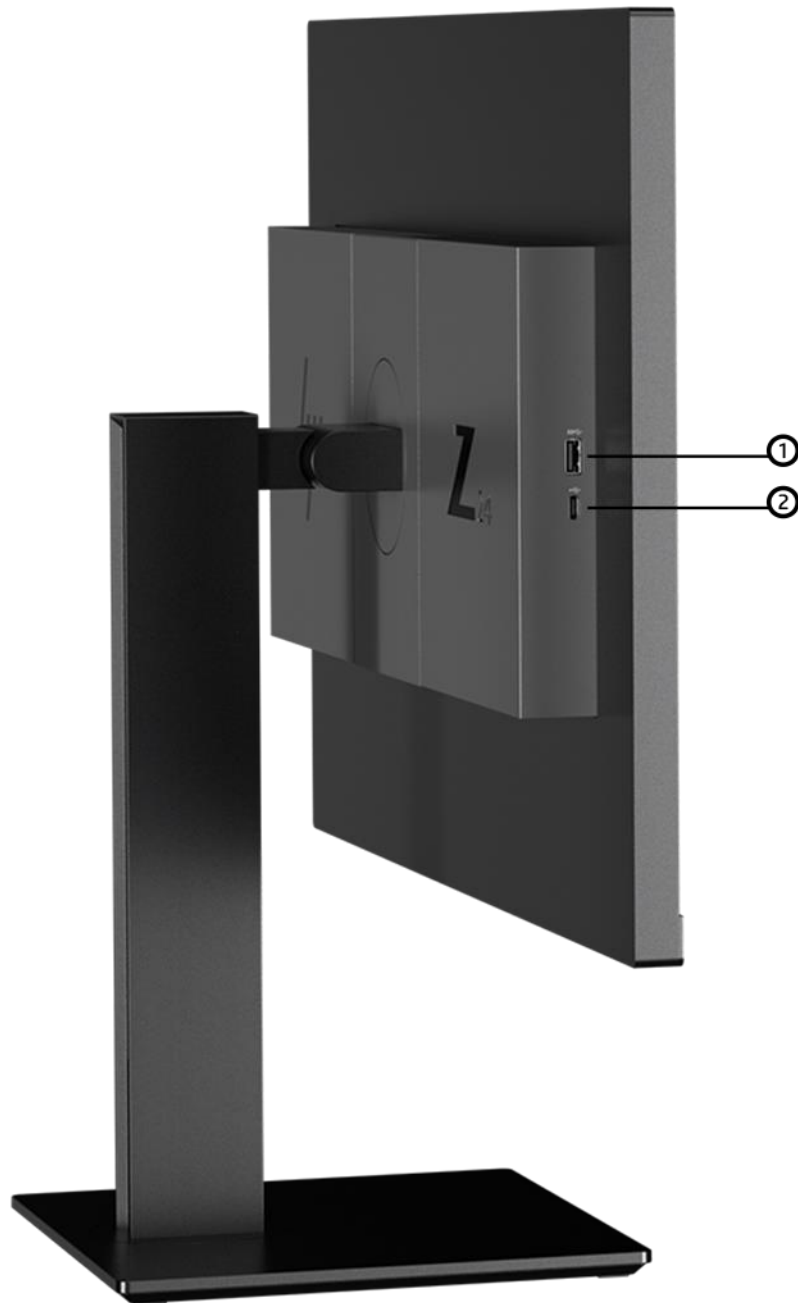
- 1. Security Lock Slot
- 2. Audio-out (headphone) Jack
- 3. USB 3.0 Type-A
- 4. USB 3.0 Type-A
- 5. USB Type-C™
- 6. DisplayPort™ 1.2 Out

- 7. DisplayPort™ 1.2 In
- 8. HDMI 1.4
- 9. DVI
- 10. Monitor Release Button
- 11. Power Connector Port
- 12. Power Switch

- 13. Menu Button
- 14. Minus ("-") Button
- 15. Plus ("+") Button
- 16. Back/Exit Button
- 17. Power/Power LED

Technical Specifications

HP Z24n G2 24-inch Display



1. USB 3.0 Type-A
2. USB Type-C™

Technical Specifications

Models: 1JS09A4, 1JS09A8

Panel Specifications	Display Size (Diagonal)	24-inch
	Viewable Image Area (diagonal)	61,1 cm (24 in) widescreen; diagonally measured
	Display Panel Type	IPS, LED Backlight
	Micro-Edge Bezel	Yes, 3 sided
	Panel Hardness	3H
	Native Resolution/Timing	1920 x 1200 @ 60 Hz
		Note: The Display can support up to 75Hz refresh for some video modes. The video card of the connected PC must be capable of supporting 75Hz. The preferred Mode is 1920 x 1200 @ 60 Hz.
	Panel Bit Depth	8 Bit (6 + 2 FRC) 16.7 Million colors
	Aspect Ratio	16:10
	Brightness* - Typical	300 cd/m ²
	Static Contrast Ratio* - Typical	1,000:1
	Dynamic Contrast Ratio* - Typical	10,000,000:1
	Flicker Free	Yes
	Pixel Pitch	0.270 mm
	Pixels Per Inch (PPI)	94.07
	Backlight Lamp Life (to half brightness - in hours)	30,000 hours minimum
	Low Blue Light Capable	Yes, user selectable in OSD Menu
	Anti-Glare Panel	Yes. Haze 25%
	Response Time* – Typical	5.8ms Gray to Gray
		* Product default is 14.0ms response time and can be adjusted to as low as 5.8ms in the display menu. See user guide for more information.
	Horizontal Viewing Angle (typical CR>10)	Up to 178° horizontal (10:1 minimum contrast ratio)
	Vertical Viewing Angle (typical CR>10)	Up to 178° vertical (10:1 minimum contrast ratio)
	Panel Active Area (w x h)	51,84 x 32,4 cm (20.41 x 12.76 in)
	Preset Graphic Modes/Supported Resolutions	640 x 480 @ 60Hz, 75Hz 720 x 400 @ 70 Hz 800 x 600 @ 60 Hz, 75Hz 1024 x 768 @ 60 Hz, 75Hz 1280 x 720 @ 60 Hz 1280 x 800 @ 60 Hz 1280 x 1024 @ 60 Hz, 75Hz 1440 x 900 @ 60 Hz 1600 x 900 @ 60 Hz 1680 x 1050 @ 60 Hz 1920 x 1080 @ 60 Hz 1920 x 1200 @ 60 Hz, 75 Hz 1920 x 1200 @ 60 Hz
	Maximum Resolution	1920 x 1200 @ 60 Hz
	Recommended Resolution	1920 x 1200 @ 60 Hz
	Vertical Scan Range	24-75 Hz
	Horizontal Scan Range	27-94 kHz
	Maximum Pixel Clock Speed	200 MHz
Color Gamut Coverage	Color Gamut (Typical) sRGB*	>72% NTSC 99% sRGB
Color Management	Factory Color Calibrated	Yes
	Default Color Temperature	sRGB (D65)
Monitor Specifications	Exterior Color of Monitor Bezel & Stand	Black Pearl
	Plug & Play	Yes
	Tilt	-5° to +22° vertical

Technical Specifications

	Swivel Pivot	Swivel +/- 45 Yes, Pivot (Clockwise and Counter Clockwise). Detent at 0 degrees
	Height Adjustment Range 4-Way Comfort Adjust	Yes, 0 to 150 mm Easily adjust the display in height, tilt, swivel and pivot for maximum comfort.
	Integrated Quick Release⁵	An easy-to-use, VESA-compliant, LCD monitor mounting solution that allows you to quickly and securely attach an LCD monitor to a variety of stands, brackets, arms or wall mounts.
	Cable Management	Enhanced cable management for easy concealment of power, video and USB cables. Effortless routing of cables through the cable management tunnel at the base of the column.
	VESA Mounting Security Lock Ready Detachable Base Warranty	Yes (one set of standard 4-hole pattern, 100 mm). Yes Yes Protected by HP, including a 3-year standard limited warranty. Optional HP Care Pack Services are extended service contracts that extend your protection beyond the standard warranties. ⁷
	Zero Bright Dot	Yes Note: The HP Pixel Policy allows no bright sub-pixel defects for this display. For complete details, see http://support.hp.com/us-en/document/c00288895 .
On Screen Display (OSD)	On Screen Display User Controls	Brightness, Contrast, Color Control, Input Control, Image Control, Power Control, Menu Control, Management, Language, Information, Exit
	Monitor Control Buttons or Switches	Menu/OK, Minus button/Down/Color Control, Plus button/Up/Viewing Mode Menu, Exit/Back/Next Active Input, Power
	User-Assignable Function Buttons Languages	Yes, 10 10 (English, Spanish, German, French, Italian, Netherlands, Portuguese, Japanese, T-Chinese and S-Chinese)
Connector Types	DisplayPort™ HDMI DVI-D HDCP Support Daisy Chain⁷	(1) DisplayPort™ 1.2, (1) DisplayPort™ 1.2 out (1) HDMI 1.4 (1) DVI-D Yes, DisplayPort™ and HDMI Yes, via DisplayPort™ Up to 4 Displays at FHD or WUXGA
	USB Port Specifications	
	USB Version USB Hub Downstream Ports	3.0 Yes, 4 downstream ports (3) USB 3.0 Ports (1) Side USB Type-C™ 3.1 downstream <ul style="list-style-type: none"> • Power Delivery up to 10 W (5V, 2A)
	Upstream Ports	(1) Rear USB Type-C™ 3.1 upstream <ul style="list-style-type: none"> • DisplayPort™ 1.2 Video • Power Delivery up to 15 W (5V, 3A)
	USB 3 Type A and USB Type-C™ Data Transfer Rate	5 Gb/s
Special Features	Picture-in-Picture Picture-by-Picture	Yes Yes

Technical Specifications

Power & Operating Specs	Power Supply	Internal	
	Input Power	100 - 240 VAC 50/60 Hz	
	Power Consumption – Maximum²	92 W	
	Energy Saving/Standby Mode Power Consumption – Typical¹	0.5 W	
	Power Consumption – Typical¹	40 W	
	Power cable length	1,9 m (6.2 ft)	
Energy Star Data	Operational Mode at 100 VAC	65.95 KWH/year	
	Operational Mode at 115 VAC	65.95 KWH/year	
	Operational Mode at 230 VAC	65.95 KWH/year	
EU Energy Efficiency Class (ERP Lot-5)	On-mode Power Consumption	36 W	
	Annual Power Consumption	53 kWh	
	Energy Efficiency Class (EC)	D	
Operating Conditions	Operating Temperature - Celsius	5° to 35° C	
	Operating Temperature - Fahrenheit	41° to 95° F	
	Non-operating Temperature - Celsius	-20° to 60° C	
	Non-operating Temperature - Fahrenheit	-4° to 140°	
	Operating Humidity	20% to 80% non-condensing	
	Non-operating Humidity	5% to 95%, 38.7° C max wet-bulb	
	Operating Altitude	0 to 5,000 m (16,404 ft)	
	Non-operating Altitude	0 to 12,192 m (0 to 40,000 ft)	
Environmental Features and Certifications	Mercury-free LED display backlighting	Yes	
	Arsenic-Free Display Glass	Yes	
	Low Halogen³	Yes	
	Microsoft WHQL Certification	Yes, Windows 7, Windows 10	
	ENERGY STAR[®] Qualified	Yes	
	EPEAT[®] 2019 Registered⁶	Yes	
	China Energy Label	CEL Grade 2	
	TCO Certified Edge	Yes	
	TCO Certified	Yes	
	SmartWay Transport Partnership - NA only	Yes	
Certification & Compliance	CE, CB, MSIP, Mexico COC, ICES, ISO 9241-307, CU, cTUVus, ISC, CCC, CEL Grade 1, VCCI, FCC, BSMI, WEEE, RCM, ErP, KC/E-Standby, SEPA, GS, TUV-S, TCO, TCO Edge, PSB, Vietnam MEPS, Microsoft WHQL Certification (Windows 7, Windows 10), ENERGY STAR [®] Qualified, EPEAT [®] 2019 Registered ⁶ , SmartWay Transport Partnership - NA only		
	Country of Origin	China	
Recycled Plastics	Back Cover	85%	
	Base/Stand	85%	
	Other Parts	85% (Deco, Middle Frame)	
	Recyclable Plastics	All	
	Recyclable Packaging (Box, packing materials)	All	
Unit Product/Package Specifications		Metric	Imperial
	Unpacked with stand (highest setting)	53,2 x 21,4 x 50,3 cm	20.9 x 8.4 x19.8 in
	Product Dimensions (W x D x H)		
	Head Only	53,2 x 4,68 x 35,1 cm	20.9 x 1.84 x13.8 in
	Product Dimensions (W x D x H)		

Technical Specifications

	Base Area Footprint Product Dimensions (W x D x H)	26.0 x 21.4 cm	10.2 x 8.5 in
	Packaged Packaged Dimensions (W x D x H)	62,5 x 42 x 27,3 cm	24.61 x 16.54 x 10.75 in
	Bezel Measurements	Top: 6,8 mm Side: 6,8 mm Bottom: 19,5 mm	Top: .27 in Side: .27 in Bottom: .77 in
	Product Weight, Packed	9,9 kg	21.7 lbs
	Product Weight, Unpacked	7,2 kg	15.9 lbs
	Product Weight, Head Only	4.4 kg	9.7 lbs
Pallet Information	Pallet Dimensions (L x W x H mm)	Pallet A: 1260 x 1110 x 2250 (mm) Pallet B: 1110 x 635 x 2250 (mm)	
	Pallet Dimensions (L x W x H inch)	Pallet A: 49.61 x 43.7 x 88.58 (inch) Pallet B: 43.7 x 25 x 88.58 (inch)	
	Pallet Total Weight (including units) kg	Pallet A: 410 kg Pallet B: 213 kg	
	Pallet Total Weight (including units) lbs	Pallet A: 902 lbs Pallet B: 469 lbs	
	Pallet Layers	Pallet A: 5 layers Pallet B: 5 layers	
	Pallet Product per Layer	Pallet A: 8 units Pallet B: 4 units	
	Total Products per Pallet	Pallet A: 40 units Pallet B: 20 units	
What's in the box?	Monitor	HP Z24n G2 24-inch Display	
	AC Power Cord	Metric 1,9 m	Imperial 6.2 ft
	DisplayPort™ 1.2 Cable	1,8 m	5.9 ft
	USB 3.1 C-A Cable	1,8 m	5.9 ft
User Guide and Warranty Languages	User Guide Languages	English, Arabic, S. Chinese, T. Chinese, Czech, Danish, Dutch, Finnish, French, German, Greek, Hungarian, Italian, Japanese, Kazakh, Korean, Norwegian, Polish, Brazilian Portuguese, Russian, Slovenian, Spanish, Swedish and Turkish.	
	Warranty Languages	English, Arabic, S. Chinese, T. Chinese, Czech, Danish, Dutch, Finnish, French, German, Greek, Hungarian, Italian, Japanese, Kazakh, Korean, Norwegian, Polish, Brazilian Portuguese, Russian, Slovenian, Spanish, Swedish and Turkish.	
Options⁵ (Each sold separately)	HP S100 Speaker Bar — Part number 2LC49AA	Add rich stereo audio to select 2017 and 2018 HP Commercial Displays ⁴ without crowding your desk with the USB-powered HP S100 Speaker Bar, which fits neatly underneath the display head.	

Technical Specifications

HP B300 PC Mounting Bracket

— Part number 2DW53AA

Attach your HP Workstation, HP Desktop Mini, HP Chromebox or select HP Thin Client directly behind select 2017 and 2018 HP EliteDisplays and HP Z Displays with the HP B300 PC Mounting Bracket.

HP UHD USB Graphics Adapter

— Part number N2U81AA

Just plug the adapter into any USB 2.0 or 3.0 port on your PC and connect the DisplayPort™ connector on the other end to your UHD display.

HP Single Monitor Arm

— Part number BT861AA

The flexible design of the HP Single Monitor Arm provides a seemingly endless range of display adjustments with an amazing 13 inches of lift, 50 degrees of tilt, and 360 degrees of pan and rotation – all at your fingertips -- helping you stay comfortable and productive throughout the day.

HP Adjustable Dual Display Stand

— Part Number AW664AA

Premium space-saving dual screen solution provides access to more monitor real estate and makes it possible to manage multiple applications simultaneously. Weight adjustable for dual monitors from 17-24". Rotate displays into portrait/landscape positions.

HP Business PC Security Lock v2 Kit

— Part Number N3R93AA

Help prevent chassis tampering and secure your PC and display in workspaces and public areas with the HP Business PC Security Lock v2 Kit.

Technical Specifications

Copyright © 2019 HP Development Company, L.P.

The information contained herein is subject to change without notice. The only warranties for HP products are set forth in the express limited warranty statements accompanying such products. Nothing herein should be construed as constituting an additional warranty. HP shall not be liable for technical or editorial errors or omissions contained herein.

*All performance specifications represent the typical specifications provided by HP's component manufacturers; actual performance may vary either higher or lower.

DisplayPort™ and the DisplayPort™ logo are trademarks owned by the Video Electronics Standards Association (VESA®) in the United States and other countries.

Microsoft and Windows are registered trademarks or trademarks of Microsoft Corporation in the U.S. and/or other countries.

ENERGY STAR is a registered trademark owned by the U.S. Environmental Protection Agency.

1. Default Power is measured with factory defaults, including factory default brightness and USB ports loaded at 25% of maximum.
2. Maximum Power is measured with monitor at maximum brightness and with USB ports loaded at 100% of maximum.
3. External power supplies, power cords, cables and peripherals are not Low Halogen. Service parts obtained after purchase may not be Low Halogen.
4. Sold separately. See product QuickSpecs for exact device and display compatibility.
5. The HP Quick Release has been designed to support a maximum of up to 24 lbs (10.9 kg) for all devices mounted. Because mounting surfaces vary widely and the final mounting method and configuration may vary, mounting fasteners are not supplied (other than the VESA-compliant screws). HP recommends that you consult with a qualified engineering, architectural or construction professional to determine the appropriate type and quantity of mounting fasteners required for your application and to ensure that your mounting solution is properly installed to support applied loads.
6. Based on US EPEAT® registration according to IEEE 1680.1-2018 EPEAT®. Status varies by country. Visit <http://www.epeat.net> for more information.
7. Service levels and response times for HP Care Pack Services may vary depending on your geographic location. Service starts from date of hardware purchase. Restrictions and limitations apply. See <http://www.hp.com/go/cpc> for details.

Technical Specifications

Change Log	
V1 to V2	
1/4/2018	Clarified 8-bit (6+2 FRC)
	Removed Factory Color Calibration Section
V2 to V3	
1/4/2018	Corrected Image for Side Ports
V3 to V4	
5/21/2018	Color Gamut specs added
V4 to v5	
05/28/2019	Updated EPEAT
V5 to V6	
2/28/2021	Energy Efficiency Class